

# ATLAS Teamwork: ATLAS Teamwork:

## AR 35/35 Super



Operation weight 2500 kg / 2875 kg  
 Power 24.6 kW (33.5 HP) / 29.4 kW (40 HP)  
 Shovel capacity 0.34 m<sup>3</sup> / 0.40 m<sup>3</sup>

## AR 40



Operation weight 3300 kg  
 Power 29.4 kW (40 HP)  
 Shovel capacity 0.50 m<sup>3</sup>

## AR 50



Operation weight 3950 kg  
 Power 42 kW (57 HP)  
 Shovel capacity 0.70 m<sup>3</sup>

## AR 60



Operation weight 4650 kg  
 Power 47.5 kW (65 HP)  
 Shovel capacity 0.85 m<sup>3</sup>

## AR 65 Super



Operation weight 4800 kg  
 Power 51.3 kW (70 HP)  
 Shovel capacity 0.80 - 1.00 m<sup>3</sup>

## AR 75



Operation weight 5600 kg  
 Power 55 kW (75 HP)  
 Shovel capacity 1.00 m<sup>3</sup>

## AR 75 S



Operation weight 6000 kg  
 Power 55 kW (75 HP)  
 Shovel capacity 0.80 m<sup>3</sup>

## AR 80



Operation weight 5750 kg  
 Power 59.3 kW (81 HP)  
 Shovel capacity 1.00 m<sup>3</sup>

## AR 85



Operation weight 6700 kg  
 Power 71.2 kW (97 HP)  
 Shovel capacity 1.30 m<sup>3</sup>

## AR 95/95 Super



Operation weight 7900 kg / 8100 kg  
 Power 74.9 kW (102 HP) / 92 kW (125 HP)  
 Shovel capacity 1.40 - 1.60 m<sup>3</sup>

Technical data without engagement.  
 Subject to change without notice.

**ATLAS**  
 WEYHAUSEN

ATLAS WEYHAUSEN GmbH  
 Maschinenfabrik  
 Visbeker Straße 35  
 D-27793 Wildeshausen  
 Telephone +49 (0)44 31/981-0  
 Fax +49 (0)44 31/981-225  
 www.radlader.com

01/2010



- Construction trade, recycling, material handling, civil engineering works and road construction
- Operating weight: 5600 kg
- Power: 55 kW

**ATLAS**  
 WEYHAUSEN

## TECHNICAL DATA AR 75

### Engine

Make: Deutz Diesel engine TD 2011 L04  
 Type: oil/air cooling  
 Power\*\*\*: set to 55 kW (75 hp)  
 at 2400 min<sup>-1</sup>  
 Max. torque: 240 Nm at 1600 min<sup>-1</sup>  
 Stroke: 3243 cm<sup>3</sup>  
 Cylinders: 4 in line  
 Electrical System: Operating voltage 12V  
 Battery 12V/ 100 Ah  
 Alternator 14V/80 A  
 Starter 12V/2.3 kW

### Drive

- Output-regulated hydrostatic drive with pressure cut off and closed circuit acting on all 4 wheels
- Speed with standard tires:  
 Road speed range 0–6.5 km/h  
 Optional high speed 0–40 km/h
- 1<sup>st</sup> and 2<sup>nd</sup> hydraulic gears can be engaged under load, forward/backward travel also
- forward/backward travel and speed ranges operational via ATLAS joystick
- Drive operated by accelerator and separate inching pedal for best distribution of the hydraulic power for thrust and lifting forces

### Axles

Rigid axles with planetary reduction gears in wheel hubs, connecting electrically 100% differential lock for front and rear axle.

### Brakes

**Standard brake:** Multi-disc brake running in oil bath acting on all 4 wheels. Supplementary brake functions via the inching pedal and hydrostatic drive acting on all 4 wheels.

**Parking brake:** Parking brake as spring-loaded brake acting on all 4 wheels. In case of standstill of engine the spring-loaded brake is automatically reactivated.

### Steering

- Fully hydraulic centre-pivot steering.
- Front and rear wheels always follow the same track
- Steering angle 40° to each side, ± 12° angular movement at rear of vehicle
- Operating pressure of steering hydraulics 175 bar
- Emergency steering function

### Hydraulic system

- Gear type pump (internal geared wheel pump) for loading and steering hydraulics
- Priority valve favoring steering hydraulics
- Lowering brake independent of load
- 3rd hydraulic section serial
- Loading hydraulic hydraulically pre-activated by ATLAS joystick, including float position
- Operating pressure: 265 bar  
 Delivery of pump: 55 l/min

### Loading equipment

- Powerful and solid Z-kinematics with high tear out force
- Hydraulic quick change device
- Activation of all functions by ATLAS joystick
- Parallel movement while using pallet forks
- Automatic shovel return to excavating position
- Locking device acc. to German StVZO for road travel

Lifting 6.0 s  
 Lowering 3.8 s  
 Tipping 1.2 s

### Standard equipment

- Rear driving mirrors, foldable
- Heatable rear screen
- Comfortable access to cab from both sides
- Single lever operation via ATLAS joystick
- Control lights for speed range, forward/ backward travel
- Lights acc. to German StVZO for road travel
- Individually adjustable driver's seat with adjustable right arm rest
- Engine oil heating with heat exchange and 4-stage fan
- Front windscreen ventilation, variable output
- Sound absorbing ROPS-cab
- Windscreen wipe and wash unit in front and rear
- Sun visor, coat hook, ceiling lamp, stow facility
- Adjustable steering column
- Heat protection glazing with large tinted screens
- Control lights for engine oil pressure, overheating, hydraulic oil temperature, battery power, parking brake and air filter
- Central dashboard with indicators for preheating, engine temperature, fuel, working hour meter

### Options

- 4<sup>th</sup> hydraulic section front or rear
- Stability damping system
- Slow drive inching pedal
- High speed version 40 km/h
- Extended lifting frame
- Hand throttle unit
- Load check valve for lifting and working cylinders
- Main battery switch
- Corrosion prevention against salt

- Agro oil cooler
- Special paintings and oils
- Cyclone dust separator
- Trailer coupling
- Heatable and air cushioned seats
- Joystick with integrated proportional steering for 3<sup>rd</sup> section (only with ADS)
- Air conditioning, auxiliary heating, comfort cab, canopy cab
- ATLAS diagnostic system (ADS) for monitoring engine parameters with integrated electronic anti-theft device
- Extra seat
- Radio
- Warning beacon
- Doors with sliding windows, left and right side
- Anti-theft device with code stick
- Engine oil preheating 220V

More options upon request

### Tires

**Standard:**  
 405/70 R 20 EM – Construction machine tires for clay, sand, gravel, asphalt, roads, gardening and landscaping

**Special tires:**  
 400/70 R20 XMCL – Construction machine tires for clay, sand, gravel, fields and green-land, fortified roads

More special tires upon request

### Fuel/oil capacities

Diesel: 100 l  
 Hydraulic oil: 83 l  
 Engine oil: 11 l  
 Front axle: 4.5 l  
 Rear axle: 4.2 l  
 Gear oil: 2.5 l

### Operating data

Shovel capacity acc. to SAE: 1.0 m<sup>3</sup>  
 Track width: 1640 mm  
 Turning radius (outer shovel edge): 4478 mm  
 Tear out force: 6210 daN  
 Torque: 5250 daN  
 Tipping load, straight: 4065 kg  
 Tipping load, articulated: 3579 kg  
 Lifting capacity at ground level: 5510 daN  
 Service weight: 5600 kg

Differing data for use of pallet forks (500 mm distance to center of gravity)\* Static tipping load, straight and articulated: 2956 kg  
 Lifting capacity: 4392 daN  
 Payload 80% even surface\*\*: 2364 kg  
 Payload 60% uneven surface\*\*\*: 1773 kg

\* Travel with load only permitted close to the ground.

\*\* According to ISO 8313 and EN 474-3.

\*\*\* According to ISO 14396, EU RL97/68/EC.

### Specific gravity for material handling

material weight (t/m<sup>3</sup>)

#### Construction

concrete	1.9
soil (dry)	1.5
soil (watery)	2.0
rock (fill)	2.4
granite	1.8
limestone	1.6
gravel (dry)	1.9
gravel (watery)	2.1
loam	1.7
plaster	2.2
sand (dry)	1.9
sand (watery)	2.1
sandstone	2.4
shale	2.2
sediment	2.1
crushed stone	1.5
de-icing salt	1.3
clay	1.6
cement	1.7
clinker (stacked)	1.8

#### Industry

ember	0.7
brown coal briquette	0.8
ferrous product	7.8
iron ore	2.3
cullet	1.9
gas coke	0.4
timber	0.8
mineral coal	1.2
paper	0.9
slag	1.0
slag concrete	2.7

#### Landscaping, agriculture

agricultural crop	0.7
grain	0.6
hay	0.3
potash	1.1
compost	1.0
flour	0.5
clay (watery)	2.3
phosphate fertilizer	2.2
turf (watery)	1.1
turf (dry)	0.4
mineral fertiliser	1.0

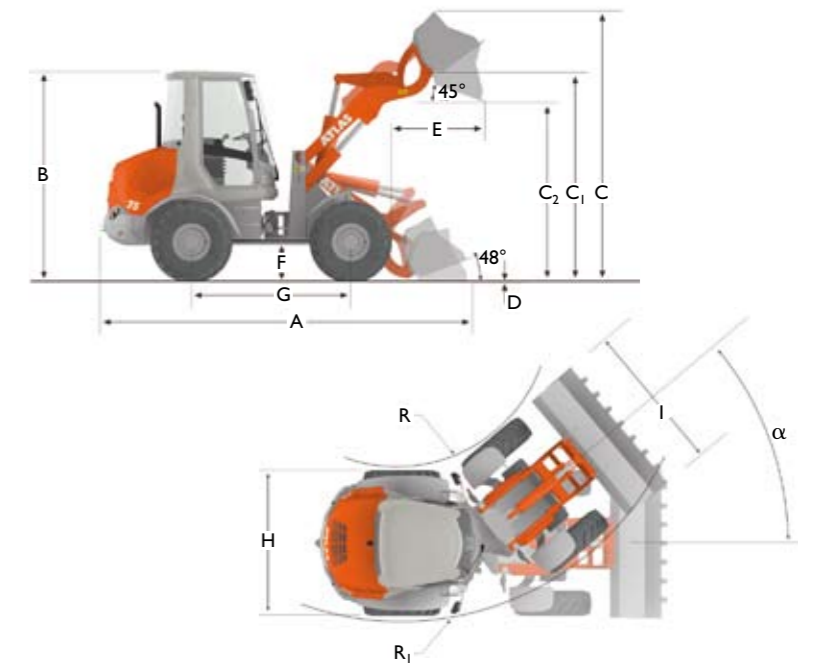
## Technical data with standard shovel.

### AR 75

A	5580
B	2685
C	4220
C <sub>1</sub>	3380
C <sub>2</sub>	2605
D	80
E	740
F	460
G	2180
H	2050
I	2070
R	1898
R <sub>1</sub>	4046

All specifications in mm

α 40°



## Technical data with pallet forks.

### AR 75

A	5800
B	2685
C	3710
C <sub>1</sub>	3190
C <sub>2</sub>	1440
D	40
E	515
E <sub>1</sub>	1310
E <sub>2</sub>	800
F	460
G	2180
H	2050
I	1030
R	1898
R <sub>1</sub>	4046

All specifications in mm

α 40°

